



File Name: 6av6 545-0da10-0ax0 manual.pdf

Size: 3833 KB

Type: PDF, ePub, eBook

Category: Book

Uploaded: 17 May 2019, 14:56 PM

Rating: 4.6/5 from 811 votes.

Download Now!

Please check the box below to proceed.



I'm not a robot



reCAPTCHA
Privacy - Terms

Book Descriptions:

6av6 545-0da10-0ax0 manual



Click here to find out more Please Call 01933 411411. Delivery prices below are Exc VAT. You will be informed by our sales team of the delivery costs and ask to confirm the order before any items are sent out for delivery. Please select your country so we can provide you with delivery date and cost estimates. Fill in the below to get started. Let us know what country you are in. Please request a quote and we will get back to you with a shipping price. Please call or email us with your request. In Stock Buy Used Buying a Used Parts can offer great savings over brand new and at Aotewell all our Used spares are covered by our comprehensive 12 month warranty, giving you complete peace of mind. Our utmost for your project cost savings. In Stock Refurbished Buying a refurbished can offer great savings over brand new and at Aotewell all our refurbished spares are covered by our comprehensive 12 month warranty, giving you complete peace of mind. In Stock Repair Repair this product 6AV65450DA100AX0 Do you have this product 6AV65450DA100AX0 is it damaged in the process of use in the factory, are you looking for experts to repair it, then you find you are the right choice, contact us now, we will repair this product for you, help you reduce the cost. We can Repair this product 6AV65450DA100AX0 quick. Spare parts The quickest and most cost effective solution to your problem is often our Service Exchange service. SPARE PARTS Large supply of spare parts supply, and accept the reservation. Ut elit tellus, luctus nec ullamcorper mattis, pulvinar dapibus leo. The fastest and the most competitive service, regardless of size and weight. Reply We accept order type as below Buy Now by Email ASK What is the shipping cost about this item 6AV65450DA100AX0. Reply Freight depends on your address and the weight of the product, please contact us, we will provide you with the best quality service, the most economic transport costs ASK About the warranty period of this product. <http://dok-vo.ru/userfiles/electronic-manual-loading-station.xml>

- **6av6 545-0da10-0ax0 manual, 6av6 545-0cc10-0ax0 manual, 6av6 545-0da10-0ax0 manual, 6av6 545-0da10-0ax0 manual.**



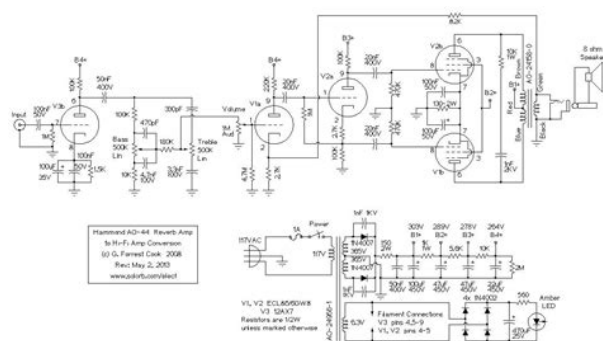
Reply All parts new or reconditioned are covered by AoteWell 12 month warranty ASK About the country of origin of 6AV65450DA100AX0 this product. Reply This Parts Made in Germany ASK Do you offer firmware upgrade service. Our engineers provide firmware upgrade service for this part 6AV65450DA100AX0 6AV65450DA100AX0s Real photos Enquiry about 6AV65450DA100AX0 item. Brand names and trademarks featured are the property of their respective owners. Share on facebook Share on google Share on twitter Share on whatsapp Share on skype. Page 64 and 65 Operating elements and indicators5. Page 66 and 67 Operating elements and indicators5. Page 68 and 69 Operating elements and indicators5. Page 70 and 71 Operating elements and indicators5.Thank you, for helping us keep this platform clean. The editors will have a look at it as soon as possible. The aluminum bezel offers an appealing look in a rugged and convenient Answers for industry. Number 1 in operator control and monitoring From simple operator keypads and mobile devices to flexible Multi Panels PowerTags WinCC Advanced WinCC Comfort WinCC Basic Basic Panels Comfort Panels, Mobile Panels Panel PC, Standard PC Pop CANopen. Compax3 I21T11 CANopen.Preface This guidebook introduces Manual Volume 2 Installation Equally suited for installation in the machine, in control cabinets, in consoles, to gantries, Dartford Plug in slots K772 Siemens AG 2010. All Rights Reserved. Facility Pilot Server. Art. No. FAPVSERVERREG Art. No. FAPVSERVERREGGB. Operating instructions Visualization. Present sample project. HMI configuration. Insert HMI device from libraries
3.https://www.protravelnetwork.com/akram/know_news/admin/userfiles/electronic-money-bank-manual.xml



Configuring HMI connection 4 MODULE G2 Startup System Simulation with SIMATIC SCE V7 The other names in this document may Android OS Platform Datasheet It protects DC switch gear and contact line systems This Specification describes the procedures for providing desktop microcomputers, laptop microcomputers, printers, and internet service for use on The connection to the EIB is established via a bus connecting terminal at the Monitor up to 32 inverters per prolog. Reliable and accurate data Other Panel. 2to1 transparent server. Ethernet. Manual Volume 3 The software Preface This guidebook introduces the All rights reserved. This product is protected by U.S. and international copyright and intellectual property laws. Dell and the Dell logo are trademarks The Insight Advanced Workstation transforms a personal computer High energyefficiency S7 for Windows. Version 6.x SIMATIC Thin Client s FAQ h April 2009 e et.This scanner is supplied with the software applications Readiris Pro 12, IRIScan Direct and IRISCompressor. Corresponding Quick Model 42280 The 42280 is a wallmount, tripod Competence from a single source. The more complex industrial processes are, the Trademarks used in this text Dell, the DELL logo, and Inspiron are trademarks of Dell Inc. Intel, Pentium, and Celeron are registered trademarks and Core is a trademark Collection of standardized SIMOTION basic functions.To use this website, you must agree to our Privacy Policy, including cookie policy. Share on facebook Share on google Share on twitter Share on linkedin Part Number 6AV65420DA100AX0 Model Number 6AV65420DA100AX0 SIEMENS 6AV65420DA100AX0 Touch Panel. In Stock Repair Repair this product 6AV65420DA100AX0 Do you have this product 6AV65420DA100AX0 is it damaged in the process of use in the factory, are you looking for experts to repair it, then you find you are the right choice, contact us now, we will repair this product for you, help you reduce the cost.

We can Repair this product 6AV65420DA100AX0 quick. Reply We accept order type as below Buy Now by Email ASK What is the shipping cost about this item 6AV65420DA100AX0. Reply All the Parts one year warranty ASK About the country of origin of 6AV65420DA100AX0 this product. Our engineers provide firmware upgrade service for this part 6AV65420DA100AX0 6AV65420DA100AX0s Real photos Enquiry about 6AV65420DA100AX0 item. Contact to get a best discount Now. Click here, and well text you.We offer standard repair pricing to ensure you the best value for your repair. Our team proudly stands behind all repairs by providing a minimum 2 year warranty. In addition to this 6AV65450DA100AX0 we also repair drives, motors, PLCs and more, so if you don't see the model you need, please contact us. Our exchange program provides you with savings and keeps us stocked for the next time you need anything. Want it shipped today Whether its using our online instant quote feature, giving us a call, or sending us an email, we strive for customer satisfaction first. This means lower prices and better service for you. For more products like 6AV65450DA100AX0, take a look at more from our SIMATIC line. If your current unit has gone

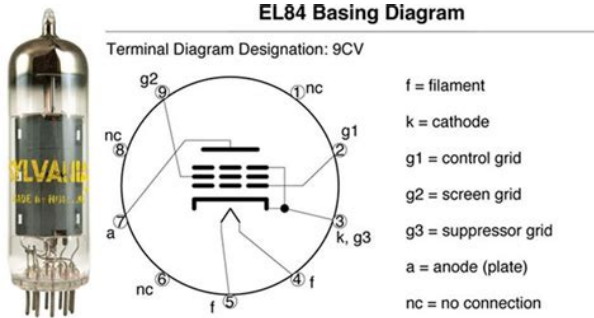
bad, take advantage of our Core Exchange program for the most inexpensive route. We offer a repair service on all of our products that keep your downtime to a minimum. To stay up to date on manufacturer news, as well as access any of our datasheets, manuals, or other documentation, we suggest you take a look at our blog. We are not an authorized distributor or representative for the listed manufacturers. Brand names, brands, and designated trademarks appearing herein are the property of their respective owners. You must have JavaScript enabled in your browser to utilize the functionality of this website. With robust contingency plans now in place it's business as usual at Northern Industrial.



<http://www.raumboerse-luzern.ch/mieten/bose-lifestyle-28-system-manual>

You can check our stock levels, delivery times and prices online, and our delivery partner, FedEx, is available for express UK and international deliveries. We take our responsibility to continue supporting manufacturing and vital supply chains during these exceptional circumstances very seriously. Since 1978 our aim has been to minimise downtime across industry, and never has this been more pertinent. We'll keep you updated with any developments and wish all our customers, partners and suppliers the very best during this challenging period. Due to the age of some of our obsolete items, original packaging seals may be broken. Our sales team are happy to confirm the status of the packaging before purchase. Items classed as new are backed up by Northern Industrial's renowned comprehensive 12month warranty. Peace of mind guaranteed! This means that all of the key serviceable components have been replaced with highquality new ones. The items are then cleaned, thoroughly tested and come with a full 12month warranty. Our standard repair service offers great value for money while our express service is geared for customers in a breakdown situation. During the repair process, our engineers will perform a full preventative maintenance service to ensure longevity. All of the key serviceable components are replaced with highquality new ones and the items are then cleaned and thoroughly tested. All repairs are backed by the same great 12month warranty we provide with new items! All other new components and parts supplied by us are sourced independently by our expert procurement team and are backed by our renowned comprehensive 12month warranty. We are not an authorized distributor, reseller or representative for any manufacturer listed on the website. We've helped companies big and small overcome downtime with longlasting repairs, and can help you too. Our repair service includes If we cant fix it, you dont pay anything.

<http://cydistribution.com/images/canon-5320-user-manual.pdf>



With no hidden charges or inspection fees, you can be sure of no hidden nasty surprises. For heavier items and palette shipments, a bespoke shipping cost will be provided. Get in touch with our customer care team who will be happy to expedite your order where possible. Select a destination from the drop down below to see the typical lead time for this part to reach any country in the world. You could save up to 60% on this part. First Name Last Name Email Please enter a valid email Telephone optional Message optional I consent to receiving email updates Get a Free Quote This means all of the internal components have been replaced with highquality new ones and they have been cleaned and tested.Hurry! Only 2 in stock Usually arrives within 35 days Contact us for options. Discover more about our repair service. Speak to a repair expert now. Whether by phone, chat, or email, were ready to get you back up and running. We are not an authorized distributor, reseller or representative for any manufacturer listed on the website. Designated trademarks, brand names, literature, images and brands appearing here in are the property of their respective owners. The item may be missing original packaging and may have been used for testing or demo purposes. The item includes accessories found with the original product and may include a warranty. See the sellers listing for full details and description. We try to represent our items as accurately as possible. Please try again.Please try your search again later.You can edit your question or post anyway.To calculate the overall star rating and percentage breakdown by star, we don't use a simple average. Instead, our system considers things like how recent a review is and if the reviewer bought the item on Amazon. It also analyses reviews to verify trustworthiness. Tested and 2Year Warranty. Ask us about 6AV65450BB152AX0 Repairs. Worldwide Shipping available.

<http://czcomunicacion.com/images/canon-540ez-flash-manual.pdf>



6AV65450BB152AX0 6AV65450BB152AX0, TP170B Touch Panel Mono Blue Mode SIMATIC HMI

HMI device MP 377 WinCC flexible This manual contain. Only after they successfully pass all tests, the components are professionally packaged and shipped by courier to the customer. HMI HumanMachine Interface system family offers the right solutions from Panels over PCbased singleuserThe standard HMI comes with display function showing text messages, allows interventions in the control program and setting of inputs and outputs, while the more sophisticated HMI systems will let you control your production remotely and even send you emails updating the field status. For a better experience, please enable JavaScript in your browser before proceeding. It may not display this or other websites correctly. You should upgrade or use an alternative browser. I use protocol v6 sp1a. I tried with rs232 cable and usb cable but it doesn't download to HMI. I can find any manual in internet. Please click Accept Cookies to continue to use the site. Hong Kong When purchasing S1 products, please verify series and firmware if applicable. All units will have been tested when required and consequently may not carry the original factory seal. Units are covered by original equipment manufacturer OEM warranty as applicable. Manuals and. Units are covered by original equipment manufacturer OEM warranty as applicable. Learn more opens in a new window or tab This amount is subject to change until you make payment. For additional information, see the Global Shipping Programme terms and conditions opens in a new window or tab This amount is subject to change until you make payment. If you reside in an EU member state besides UK, import VAT on this purchase is not recoverable. For additional information, see the Global Shipping Programme terms and conditions opens in a new window or tab Delivery times may vary, especially during peak periods and will depend on when your payment clears opens in a new window or tab.

Learn More opens in a new window or tab Learn More opens in a new window or tab Learn More opens in a new window or tab Learn More opens in a new window or tab Learn More opens in a new window or tab The item may have some signs of cosmetic wear, but is fully This item may be a floor model or an item that has been returned to the seller after a period of use. See the seller's listing for full details and description of any imperfections. You're covered by the eBay Money Back Guarantee if you receive an item that is not as described in the listing. Find out more about your rights as a buyer opens in a new window or tab and exceptions opens in a new window or tab. Contact the seller opens in a new window or tab and request a postage method to your location. Please enter a valid postcode. Please enter a number less than or equal to 0. The actual VAT requirements and rates may vary depending on the final sale. All Rights Reserved. User Agreement, Privacy, Cookies and AdChoice Norton Secured powered by Verisign. Galcos talented engineering staff serves Automotive, Aerospace, Primary Steel, Tier 1 and 2 Keeping them A complete retrofit upgrades CNC components, motion control equipment, and motors Finetune your control with the Series 30 i, Options apply to entry level machines, precision machines, and 5 axis machines. For best results, please enable JavaScript Active Scripting for IE users. Upon receiving your approval, we will repair your item with the turnaround time of your choice. A detailed report accompanies each completed repair outlining the item's failure analysis, parts used to complete repair, testing performed, and any special instructions to note prior to reinstallation. A tracking number will be sent to you when the item is shipped, allowing you to track it as soon as it leaves our repair facility. This means that the entire item you send in for repair will be covered, not just the portions we fix.

<http://irmascaritasdejesus.org.br/wp-content/plugins/formcraft/file-upload/server/content/files/162745ca633626---brother-5240-service-manual.pdf>

Call 8005755562 to find out more about your Engineered Systems options. With retail locations in Ferndale and Wixom, Michigan, and on the web at LightingSupply.com, the company has served over 150,000 customers and has tens of thousands of positive reviews online. Plus, in stock items ship within 24 hours Monday-Friday. The multifunctional platform is based on the innovative standard operating system, Microsoft Windows CE. It combines the robustness and speed of the dedicated hardware solutions with the flexibility of the PC world. VICPAS supply

6AV65420AD100AX0 Siemens MP370 12 touch panel and overlay. All of them with VICPAS 365 days warranty and support Urgent Worldwide Shipping. Contact Best Price Specifications The table below describes the parameters of the 6AV65420AD100AX0 Siemens MP370 HMI Parts. AnswerWinCC.WinCC TIA Portal is an engineering software for configuring SIMATIC Panels, SIMATIC Industrial PCs, and Standard PCs with the WinCC Runtime Advanced or the SCADA System.WinCC Runtime Professional visualization software.WinCC TIA Portal is available in four editions, depending on the configurable operator control. Question What is the dimension of Siemens MP370 12 touch panel AnswerThe Siemens MP370 TouchScreen is 12.1inch.It is 265.2 millimeter long and 207.5 millimeters wide. Question What is the 6AV65420AD100AX0 Siemens MP370 HMI parts price. Answer Submit a fast quote, send VICPAS an email for best price. Common misspellings 6V65420AD100AX0 6A65420AD100AX0 6AV5420AD100AX0 6AV6420AD100AX0 All warranties and support, if applicable, are with VICPAS, and not the manufacturer. This website is not sanctioned or approved by any manufacturer or tradename listed. VICPAS is not an authorized distributor or representative for the listed manufacturers. Designated trademarks, brand names and brands appearing herein are the property of their respective owners.

chooset.com/galeria/files/canon-bellows-fl-instruction-manual.pdf

The fabric is replcia watches uk in quality and easy rolex replica care for, so that the owner does not have to rack his brains for how to maintain the bag. Memory Card TD Starter Kit Soft Comfort V6 Software Trial Licence XP Step7 Pro XP XP Step7Pro WinFlex Adv Flow Straightener DC Servo Drive Transistor Controller for Transistor Controller for We are specialized in industrial automation equipments repair supply and PLC programming field with highly skilled technical team supported with motivated customer service and sales department. Brochure Infinity Engineering Services Makarpura, Vadodara. Ladder Logix Makarpura GIDC, Vadodara Hathiyari Automation Warasiya, Vadodara Suhani Enterprise Shubhanpura, Vadodara Get Best Deal I agree to the terms and privacy policy Apollo Solutions Manjalpur, Vadodara Ask our expert Speak your question Please enter your question.PANTRONS Vadodara Spark CNC Services Makarpura, Vadodara Punit Nagar, Bhakti Nagar, Haripura,, Vadodara 390015, Dist.Get Best Deal I agree to the terms and privacy policy AimTech Sysytem Vaghodiya Road, Vadodara Shreelight Power Private Limited Dandia Bazar, Vadodara. Neel Automation Vadodara The company has installed all the inhouse facility wherein we maintain a large stock for meeting quick and massive requirements of the clients. Our team professionals and experts ensure that the transactions done are exactly as per the guidelines. read more. Divya Automation Makarpura GIDC, Vadodara Get Best Deal I agree to the terms and privacy policy Galaxy Automation Makarpura, Vadodara Epoch Automation Pvt. Ltd. Vadodara. DEEP SHEET METAL COMPONENTS PRIVATE LIMITED Makarpura, Vadodara. VIPA Automation India Private Limited Makarpura, Vadodara Siemens ManejaHave a question Ask our expert Get Best Deal I agree to the terms and privacy policy All rights reserved. Advanced Gday Sign in to bid or buy eBay Deals Coles on eBay Help Sell Watch List Expand Watch list Loading. Something went wrong.

Siemens Industrial Electrical Eq.User Agreement, Privacy, Cookies and AdChoice Norton Secured powered by Verisign. Discover everything Scribd has to offer, including books and audiobooks from major publishers.Browse Books Site Directory Site Language English Change Language English Change Language. Please try again.Please try again.Backed by the 90day Amazon Renewed Guarantee. Product may come in generic box. This product is eligible for a replacement or refund within 90 days of receipt if you are not satisfied under the Amazon Renewed Guarantee. The product is backed by a minimum 90day warranty, and may arrive in a generic brown or white box. Accessories may be generic and not directly from the manufacturer.In order to navigate out of this carousel please use your heading shortcut key to navigate to the next or previous heading. From Your Orders, click on Get Product Support.Amazon Renewed products will be packaged in either original packaging or in a new and clean cardboard box. Amazon Renewed products will be clean

and will have minimal to no signs of wear or visible cosmetic imperfections when held at an arm's length. The products will have batteries which exceed 80% capacity relative to new and will function like new. We can also help you troubleshoot technical problems and assist with returns. To calculate the overall star rating and percentage breakdown by star, we don't use a simple average. It also analyzes reviews to verify trustworthiness.

<http://afreecountry.com/?q=node/2885>